



# PA 440

## Field Display

### Functional range

- ▶ free scalable display
- ▶ switch mode, hysteresis, parameterizable deceleration of the contacts
- ▶ no external power supply necessary

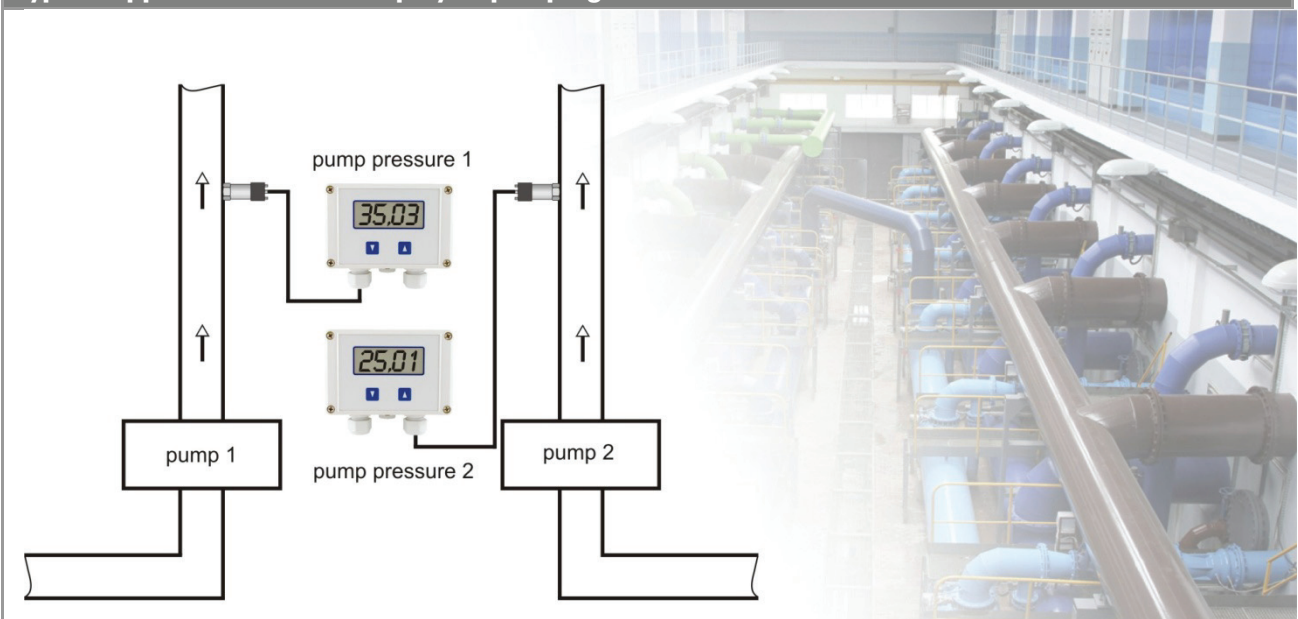
### Product characteristics

- ▶ field display for pressure transmitter with output signal: 4 ... 20 mA / 2-wire or 0 ... 10 V / 3-wire
- ▶ 4-digit LC display
- ▶ plastic or aluminium housing
- ▶ pressure compensation element with PTFE-Filter

### Optional versions

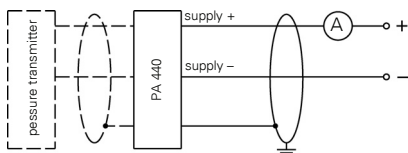
- ▶ IS-version
- ▶ 2 contacts
- ▶ 4-digit LED display

### Typical application: in situ display at pumping stations



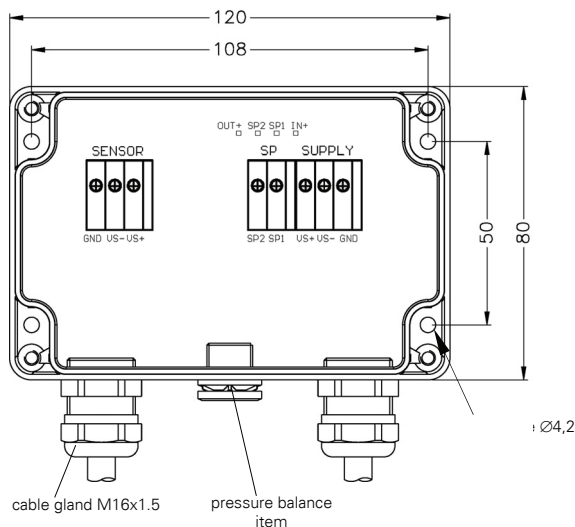
<b>Analogue signal</b>	
Standard	2-wire: 4 ... 20 mA
Option IS-version	2-wire: 4 ... 20 mA
Option 3-wire	0 ... 10 V (in preparation)
Accuracy	$\leq \pm 0.1\%$ FSO $\pm 1$ digit
<b>Supply</b>	
2-wire system	supplied by current loop; voltage drop $\leq 6.5$ V IS version: max. $28 V_{DC}$ (for combination with transmitter and PA 440)
3-wire system	display is supplied parallel with transmitter; $V_S = 8 V_{DC} \dots 36 V_{DC}$
<b>Contact (optionally for LED display)</b>	
Number, type	2 independent PNP open collector contacts
Switching performance	contact rating max. 125 mA, short-circuit resistant
Switching frequency	max. 8/sec
Delay time	0 ... 100 sec
<b>Miscellaneous</b>	
Electrical protection	reverse polarity protection (no damage, but also no function); electromagnetic compatibility (emission and immunity according to EN 61326); short-circuit protection
Ingress protection	IP 65
Display	4-digit, 7-segment LC display, range of indication -1999 ... +9999; accuracy $0.2\% \pm 1$ digit; standard: LC display, digit height 18 mm option: LED display, digit height 10 mm, red
Permissible temperatures	electronics / environment / storage: -20 ... 70 °C
Material display housing	standard: plastic ABS, grey option: aluminium die cast case, grey powder-coating
Cable entries	cable gland M16x1.5 Polyamide, seals NBR, diameter range: standard 5 ... 10 mm
Atmospheric pressure compensation	pressure compensation element with PTFE filter
Terminal clamps	vertical clamps for stranded and solid wires up to 2.5 mm <sup>2</sup>
Dimensions (height x width x depth)	plastic housing: 80 mm x 120 mm x 57 mm aluminium die cast case: 80 mm x 125 mm x 57 mm
Weight	plastic housing: approx. 220 g aluminium die cast case: approx. 550 g
<b>IS protection (optionally) - only in combination with LED display</b>	
Approval AX15-PA 440	zone 1: II 2G Ex ia IIB T4
Safety technical maximum	$U_i = 28 V_{DC}$ , $I_i = 93$ mA, $P_i = 660$ mW

### Wiring diagram



### Dimensions (in mm)

#### plastic housing:



#### aluminium die cast case:

