



DM 10

Battery Powered Digital Pressure Gauge

Ceramic Sensor

class 0.5

Digital Pressure Gauge

DM 10

Nominal pressure

from 0 ... 1.6 bar
up to 0 ... 250 bar

Special characteristics

- ▶ adjustable housing
- ▶ LC display
4.5-digit 7-segment display
- ▶ standard battery CR 2450
operation period > 1.800 h

Functions

- ▶ min / max function with
reset function
- ▶ auto-zero
- ▶ setting of pressure unit
(bar, mbar, psi, MPa, mH₂O)
- ▶ automatic switch-off configuration

CE

The compact low-cost digital pressure gauge DM 10 is battery-powered and has an adjustable housing; it is thus extremely suitable for mobile pressure monitoring.

The 4.5-digit LC-display indicates the battery status, the measurement value as well as the unit, this enables a fast and precise reading.

It is possible to switch between the most common units (bar, psi, Pa, MPa). Additional functions as auto-zero, min / max values and an automatic switching-off complete the DM 10 profile.

Preferred areas of use



Mobile Pressure Monitoring
Plant and Machine Engineering
Pneumatics / Hydraulics



Environmental Engineering
(water – sewage – recycling)

Input Pressure												
Nominal pressure gauge [bar]	1.6	2.5	4	6	10	16	25	40	60	100	160	250
Overpressure [bar]	4	4	10	10	20	40	40	100	100	200	400	400
Burst pressure [bar]	7	7	15	15	35	70	70	150	150	250	450	450
Vacuum resistance	unlimited											

Performance	
Accuracy	≤ ± 0.5 % FSO BFSL
Measuring rate	1/sec
Long term stability	≤ ± 0.3 % FSO / year

Thermal effects (Offset and Span)	
Tolerance band	≤ ± 0.5 % FSO / 10 K (typ.) in compensated range 0 ... 50 °C

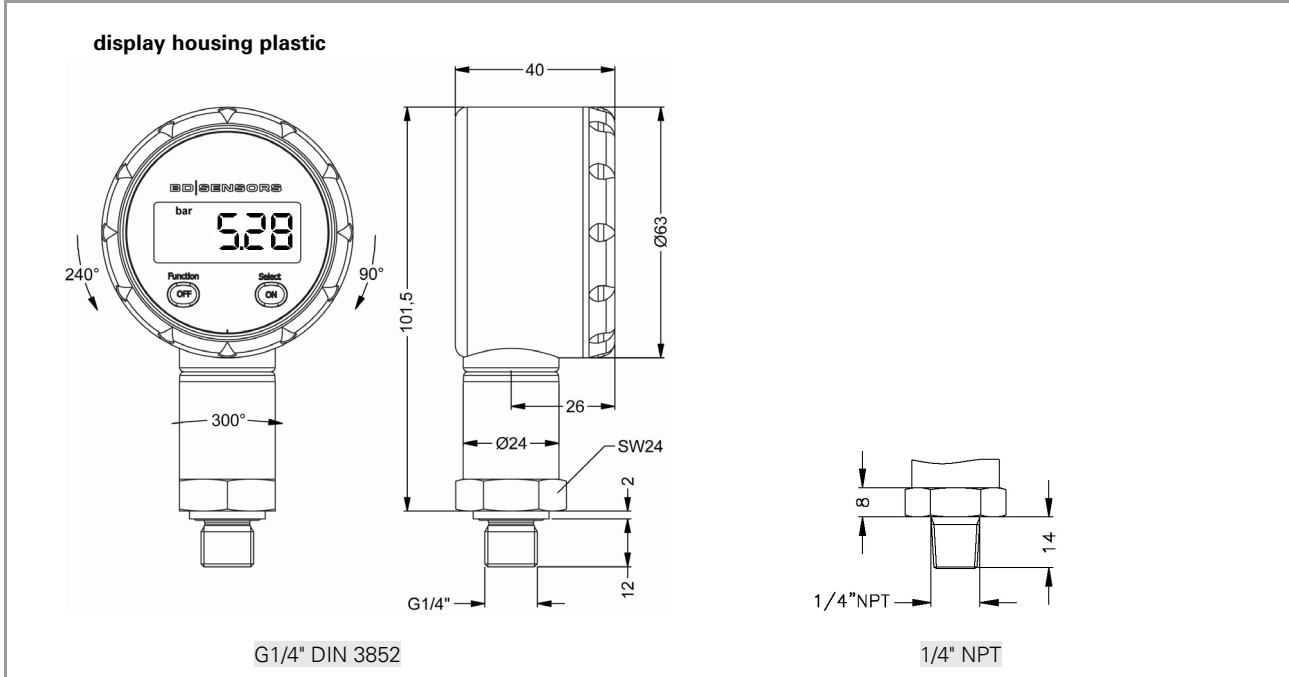
Permissible temperatures	
Permissible temperatures	medium: -25 ... 85 °C environment: 0 ... 70 °C storage: 0 ... 70 °C

Materials	
Pressure port / housing	stainless steel 1.4301
Display housing	PA 6.6, Polycarbonate
Seals (media wetted)	FKM others on request
Diaphragm	ceramics Al ₂ O ₃ 96 %
Media wetted parts	pressure port, seals, diaphragm

Miscellaneous	
Display	LC-Display, visible range 36 x 15 mm; 4.5-digit 7-segment-display, digit size 8.5 mm, range of indication ±19999
Electromagnetic compatibility	emission and immunity according to EN 61326
Supply	3 V lithium battery (CR 2450)
Data storage	EEPROM (non-volatile)
Ingress protection	IP 65
Installation position	any
Weight	plastic: approx. 150 g
Operational life of battery	min. 1500 h with permanent operation
Mech. operational life	> 100 x 10 ⁶ pressure cycles
CE-conformity	EMC directive: 2004/108/EC pressure equipment directive: 97/23/EC (Modul A) ¹

¹This directive is only valid for devices with maximum permissible overpressure > 200 bar.

Dimensions (in mm)



This data sheet contains product specification, properties are not guaranteed. Subject to change without notice.

