

DMP 331Pi

Precision Pressure Transmitter

pressure ports and
process connections with
flush welded stainless steel diaphragm

accuracy according to IEC 60770:
0,1 % FSO



Nominal pressure

from 0 ... 400 mbar up to 0 ... 40 bar

Output signals

2-wire: 4 ... 20 mA
3-wire: 0 ... 10 V
others on request

Product characteristics

- ▶ excellent temperature response
0.04 % FSO / 10K
- ▶ Turn-Down 1:10
- ▶ processing of the sensor signal using
digital electronics
- ▶ process connections suitable for
hygienic application
- ▶ vacuum resistant

Optional versions




- ▶ IS-version
Ex ia = intrinsically safe for gases and
dusts
- ▶ communication interface for adjustment
of offset, span and damping

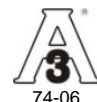
The precision pressure transmitter DMP 331Pi demonstrates the further development of well-tried industrial pressure transmitter DMP 331P.

The signal from the specially designed piezoresistive stainless steel sensor is processed by the newly developed digital electronic system, performing thus an active compensation of sensor-specific deviations such as hysteresis, thermal errors and non-linearity.

The temperature range of -40 ... 125 °C can be extended by the integration of a cooling element up to 300 °C.

Preferred areas of use are

-  Laboratory techniques
-  Food and beverage
-  Pharmaceutical industry

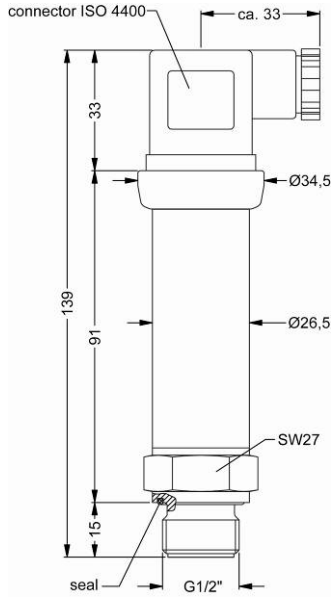


Pressure ranges ¹								
Nominal pressure gauge / absolute ²	[bar]	0.4	1	2	4	10	20	40
Overpressure	[bar]	2	5	10	20	40	80	105
Burst pressure ≥	[bar]	3	7,5	15	25	50	120	210
Vacuum resistance		P _N ≥ 1 bar: unlimited vacuum resistance P _N < 1 bar: on request						
¹ On customer request we adjust the device within the turn-down-possibility by software on the required pressure range.								
² absolut pressure permissible from 1 bar								
Vacuum ranges								
Nominal pressure	[bar]	-0.4 ... 0.4	-1 ... 1	-1 ... 2	-1 ... 4	-1 ... 10		
Overpressure	[bar]	2	5	10	20	40		
Burst pressure ≥	[bar]	3	7.5	15	25	50		
Output signal / Supply								
Standard		2-wire: 4 ... 20 mA / V _S = 12 ... 36 V _{DC}						
Option IS-protection		2-wire: 4 ... 20 mA / V _S = 14 ... 28 V _{DC}						
Options		2-wire: 4 ... 20 mA with communication interface ³ 3-wire: 0 ... 10 V / V _S = 14 ... 36 V _{DC} 0 ... 10 V with communication interface ³						
³ only possible with el. connection Binder series 723 (7-pin)								
Performance								
Accuracy ⁴		IEC 60770: ≤ ± 0.1 % FSO						
performance after turn-down		no change of accuracy ⁵ for calculation use the following formula (for nominal pressure ranges ≤ 0.40 bar see note 5): ≤ ± [0.1 + 0.015 x turn-down] % FSO with turn-down = nominal pressure range / adjusted range e.g. with a turn-down of 1:10 following accuracy is calculated: ≤ ± (0.1 + 0.015 x 10) % FSO i.e. accuracy is ≤ ± 0.25 % FSO						
- TD ≤ 1:5								
- TD > 1:5								
Permissible load		current 2-wire: R _{max} = [(V _S - V _S min) / 0.02 A] Ω voltage 3-wire: R _{min} = 10 kΩ						
Influence effects		supply: 0.05 % FSO / 10 V load: 0.05 % FSO / kΩ						
Long term stability		≤ ± (0.1 x turn-down) % FSO / year at reference conditions						
Response time		< 5 msec						
Adjustability		configuration of following parameters possible (interface / software necessary ⁶): - electronic damping: 0 ... 100 sec - offset: 0 ... 90 % FSO - turn down of span: max. 1:10						
⁴ accuracy according to IEC 60770 – limit point adjustment (non-linearity, hysteresis, repeatability)								
⁵ except nominal pressure ranges ≤ 0.40 bar; for these calculation of accuracy is as follows: ≤ ± (0.1 + 0.02 x turn-down) % FSO e.g. turn-down of 1:3: ≤ ± (0.1 + 0.02 x 3) % FSO i.e. accuracy is ≤ ± 0.16 % FSO								
⁶ software, interface, and cable have to be ordered separately (software appropriate for Windows [®] 95, 98, 2000, NT Version 4.0 or higher, and XP)								
Thermal effects ⁷ (Offset and Span) / Permissible temperatures								
Tolerance band	[% FSO]	≤ ± (0.35 x turn-down)		in compensated range 0 ... 80 °C				
TC, average	[% FSO / 10 K]	≤ ± (0.035 x turn-down)		in compensated range 0 ... 80 °C				
Permissible temperatures ⁸		medium: -40 ... 125 °C for filling fluid silicon oil -10 ... 125 °C for filling fluid food compatible oil electronics / environment: -25 ... 85 °C storage: -40 ... 100 °C						
Permissible temperature medium for cooling element 300°C		filling fluid silicon oil		overpressure: -40 ... 300 °C		vacuum: -40 ... 150 °C ⁹		
		filling fluid food compatible oil		overpressure: -10 ... 250 °C		vacuum: -10 ... 150 °C ⁹		
⁷ an optional cooling element can influence thermal effects for offset and span depending on installation position and filling conditions.								
⁸ max. temperature of the medium for nominal pressure gauge > 0 bar: 150 °C for 60 minutes with a max. environmental temperature of 50 °C								
⁹ also for P _{abs} ≤ 1 bar								
Electrical protection								
Short-circuit protection		permanent						
Reverse polarity protection		no damage, but also no function						
Electromagnetic compatibility		emission and immunity according to EN 61326						
Filling fluids								
Standard		silicon oil						
Options		food compatible oil with FDA approval (Mobil SHC Cibus 32; Category Code: H1; NSF Registration No.: 141500) others on request						
Mechanical stability								
Vibration (DIN EN 60068-2-6)		G 1/2": 20 g RMS (25 ... 2000 Hz);			others except G 1/2": 10 g RMS (25 ... 2000 Hz)			
Shock (DIN EN 60068-2-27)		G 1/2": 500 g / 1 msec;			others except G 1/2": 100 g / 1 msec			

Materials						
Pressure port	stainless steel 1.4404 (316 L) others on request					
Housing	stainless steel 1.4404 (316 L)					
Option compact field housing	stainless steel 1.4305 (303), cable gland brass, nickel plated others on request					
Seals (O-ring)	standard: FKM (recommended for medium temperatures $\leq 200\text{ }^{\circ}\text{C}$) option: FFKM (recommended for medium temperatures $> 200\text{ }^{\circ}\text{C}$) others on request clamp, dairy pipe, Varivent [®] : without					
Diaphragm	standard: stainless steel 1.4435 (316L) option: Hastelloy [®] C-276 (2.4819) and Tantalum on request					
Media wetted parts	pressure port, diaphragm					
Explosion protection (only for 4 ... 20 mA / 2-wire)						
Approvals DX 19-DMP 331Pi	IBExU 10 ATEX 1068 X / IECEx IBE 12.0027X zone 0: II 1G Ex ia IIC T4 Ga zone 20: II 1D Ex ia IIIC T 85°C Da					
Safety technical maximum values	$U_i = 28\text{ V}$, $I_i = 93\text{ mA}$, $P_i = 660\text{ mW}$, $C_i \approx 0\text{ nF}$, $L_i \approx 0\text{ }\mu\text{H}$, the supply connections have an inner capacity of max. 27 nF to the housing					
Ambient temperature range	in zone 0: $-20 \dots 60\text{ }^{\circ}\text{C}$ with p_{atm} 0.8 bar up to 1.1 bar in zone 1 or higher: $-20 \dots 70\text{ }^{\circ}\text{C}$					
Connecting cables (by factory)	cable capacitance: signal line/shield also signal line/signal line: 160 pF/m cable inductance: signal line/shield also signal line/signal line: 1 $\mu\text{H/m}$					
Miscellaneous						
Current consumption	signal output current: max. 25 mA signal output voltage: max. 7 mA					
Weight	approx. 200 g					
Installation position	any ¹⁰					
Operational life	$> 100 \times 10^6$ pressure cycles					
CE-conformity	EMC Directive: 2004/108/EC					
¹⁰ Pressure transmitters are calibrated in a vertical position with the pressure connection down. If this position is changed on installation there can be slight deviations in the zero point for pressure ranges $P_N \leq 1\text{ bar}$.						
Wiring diagrams						
<p>2-wire-system (current)</p>	<p>3-wire-system (voltage)</p>					
Pin configuration						
Electrical connections	ISO 4400	Binder 723 (5-pin)	Binder 723 (7-pin)	M12x1/ metal (4-pin)	field housing	cable colours (DIN 47100)
Supply +	1	3	3	1	IN +	wh (white)
Supply -	2	4	1	2	IN -	bn (brown)
Signal + (only for 3-wire)	3	1	6	3	OUT +	gr (green)
shield	ground pin	5	2	4		ye/gn yellow / green
Communication interface ¹¹	RxD	-	4	-	-	-
	TxD	-	5	-	-	-
	GND	-	7	-	-	-
¹¹ may not be connected directly with the PC (the suitable adapter is available as accessory)						
Electrical connections (dimensions in mm)						
standard	option					
ISO 4400 (IP 65)	Binder 723 5-pin (IP 67)	Binder 723 7-pin (IP 67)	M12x1 4-pin (IP 67)	field housing (IP 67)	cable outlet ¹² (IP 67)	cable outlet ¹³ , with ventilation tube (IP 68)
¹² standard: 2 m PVC cable (without ventilation tube, permissible temperature: $-5 \dots 70\text{ }^{\circ}\text{C}$)						
¹³ different cable types and lengths available, permissible temperature depends on kind of cable						

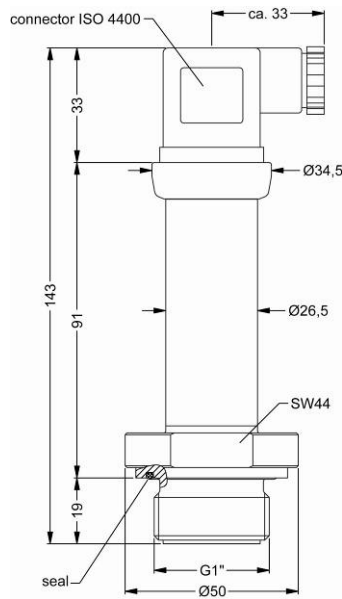
Mechanical connection (dimensions in mm)

standard

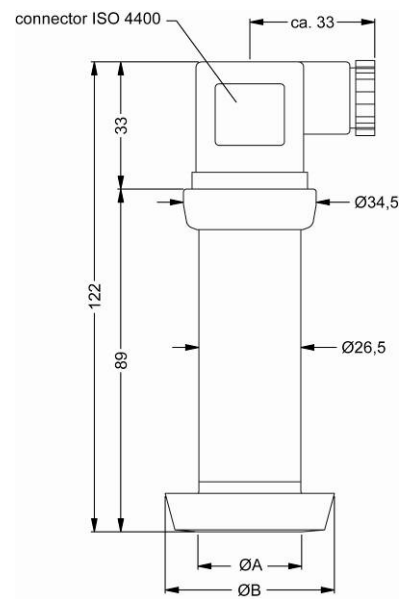


G1/2" flush DIN 3852

option

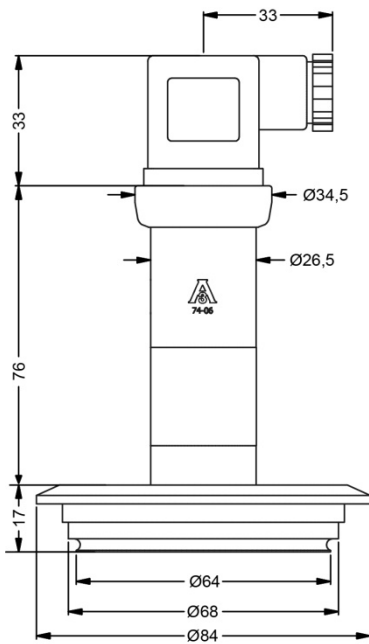


G1" flush DIN 3852

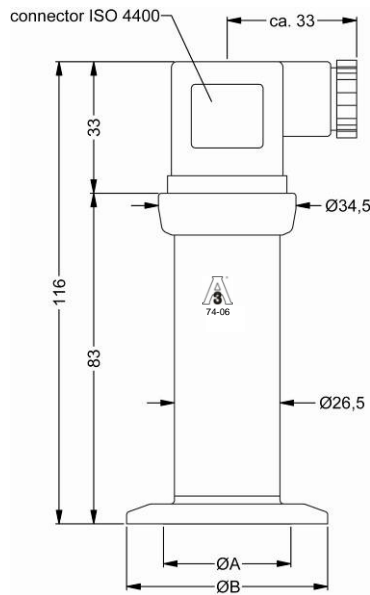


dairy pipe (DIN 11851)

dimensions in mm			
size	DN 25	DN 40	DN 50
A	23	32	45
B	44	56	68.5
P _N [bar]	≤ 40	≤ 40	≤ 25

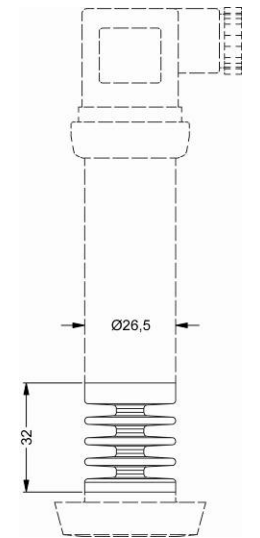


Varivent®
P_N ≤ 25 bar



Clamp (DIN 32676)

dimensions in mm			
size	DN 25	DN 32	DN 50
A	23	32	45
B	50.5	50.5	64
P _N [bar]	≤ 16	≤ 16	≤ 16



cooling element up to 300 °C

⇒ metric threads and others on request

Windows® is a registered trade mark of Microsoft Corporation

© 2015 BD|SENSORS GmbH – The specifications given in this document represent the state of engineering at the time of publishing. We reserve the right to make modifications to the specifications and materials.

Ordering code DMP 331Pi

DMP 331Pi

Pressure																
	gauge	5	0	0												
	absolute ¹	5	0	1												
Input																
	[bar]															
	0.40 ¹	4	0	0	0											
	1.0	1	0	0	1											
	2.0	2	0	0	1											
	4.0	4	0	0	1											
	10	1	0	0	2											
	20	2	0	0	2											
	40	4	0	0	2											
	-0.40 ... 0.40	S	4	0	0											
	-1 ... 1	S	1	0	2											
	-1 ... 2	V	2	0	2											
	-1 ... 4	V	4	0	2											
	-1 ... 10	V	1	0	3											
	customer	9	9	9	9											
Output																
	4 ... 20 mA / 2-wire					1										
	Intrinsic safety 4 ... 20 mA / 2-wire					E										
	0 ... 10 V / 3-wire					3										
	customer					9										
Accuracy																
	0.1%					1										
	customer					9										
Electrical connection																
	Male and female plug ISO 4400					1	0	0								
	Male plug Binder series 723 (5-pin)					2	0	0								
	Male plug Binder series 723 (7-pin) ²					A	0	0								
	Cable outlet with PVC-cable ³					T	A	0								
	Cable outlet ⁴					T	R	0								
	Male plug M12x1 (4-pin) / metal					M	1	0								
	Compact field housing					8	5	0								
	stainless steel 1.4305 ⁵					8	5	0								
	customer					9	9	9								
Mechanical connection																
	G1/2" with flush					Z	0	0								
	welded diaphragm (DIN 3852) ⁶					Z	3	1								
	G1" with flush					Z	3	1								
	welded diaphragm (DIN 3852)					Z	3	1								
	Clamp DN 25 / 1" (DIN 32676) / 3A					C	6	1								
	Clamp DN 32 / 1 1/2" (DIN 32676) / 3A					C	6	2								
	Clamp DN 50 / 2" (DIN 32676) / 3A					C	6	3								
	Clamp 3/4" (DIN 32676) / 3A					C	6	9								
	Dairy pipe DN 25 (DIN 11851) ⁵					M	7	3								
	Dairy pipe DN 40 (DIN 11851) ⁵					M	7	5								
	Dairy pipe DN 50 (DIN 11851) ⁵					M	7	6								
	Varivent® DN 40/50 / 3A					P	4	1								
	customer					9	9	9								
Diaphragm																
	Stainless steel 1.4435 (316L)					1										
	Hastelloy® C-276 (2.4819)					H										
	Tantalum					T										
	customer					9										
Seals																
	for clamp or dairy pipe: without					0										
	for inch thread - standard: FKM					1										
	for inch thread - option: FFKM					7										
	customer					9										
Filling Fluids																
	silicon oil					1										
	food compatible oil					2										
	customer					9										
Special version																
	standard					1	1	1								
	RS-232 interface ⁷					1	2	1								
	with cooling element up to 300 °C					2	1	1								
	RS-232 interface and cooling element up to 300 °C ⁷					2	2	1								
	customer					9	9	9								

¹ absolut pressure possible from 1 bar

² cable socket is included in delivery

³ standard: 2 m PVC cable without ventilation tube (permissible temperature: -5 ... 70 °C), others on request

⁴ cable with ventilation tube (code TR0 = PVC cable), different cable types and lengths available, price without cable

⁵ The cup nut has to be mounted by production of pressure transmitter with electrical connection field housing and mechanical connection dairy pipe.

The cup nut has to be ordered as separate position.

⁶ possible only for P_N ≥ 1 bar

⁷ RS-232 interface only possible with el. connection Binder series 723 (7-pin)

Software, Interface and cable for DMP 331 Pi with option RS-232 have to be order separately

(Ordering code: CIS-G; Software appropriate for Windows® 95, 98, 2000, NT Version 4.0 or newer and XP)

Windows® is a registered trademark of Microsoft Corporation

© 2015 BD|SENSORS GmbH - The specifications given in this document represent the state of engineering at the time of publishing. We reserve the right to make modifications to the specifications and materials.

